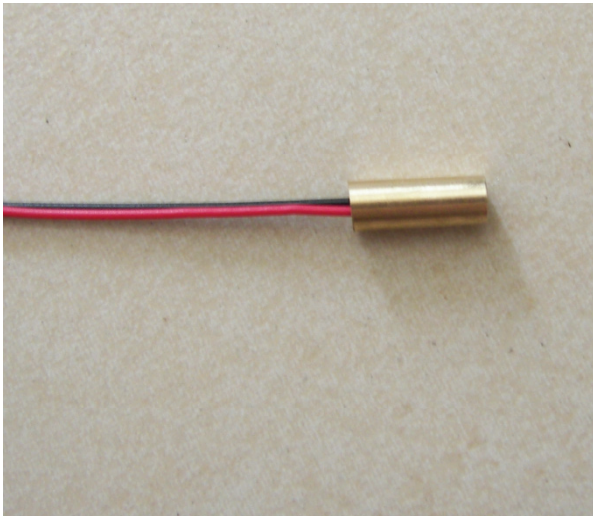


L45 Series

Part No: L45-XXX-XX-XX-XX



Features:

- ※ Wavelength: λ =635nm, 650nm,
- ※ Optical Power: <1mW, <5mW;
- ※ Mini Dimension: 4.5*13mm(Diameter*length);
- ※ Increased laser diode lifetime;
- ※ APC circuit into an ASIC.

Applications:

- ※ Medical Applications;
- ※ Bio-Instruments;
- ※ Industrial Applications;
- ※ Other Applications.

Specifications:

Item	Symbol	parameter
Mechanical size	mm	(diameter*length) 4.5*13
Housing material	--	Brass
Operating mode	--	CW
Spot pattern	--	Line
Span angle	°	5, 20, 36.5, 60, 90, 110
Wavelength	nm	635, 650
Output power	mW	<1, <5
Power stability	--	<5%
Operating voltage	V	3, 4.5, 5
Operating current	mA	--
Operating temperature	°C	--
Storage temperature	°C	-40~80
MTTF	Hrs	--

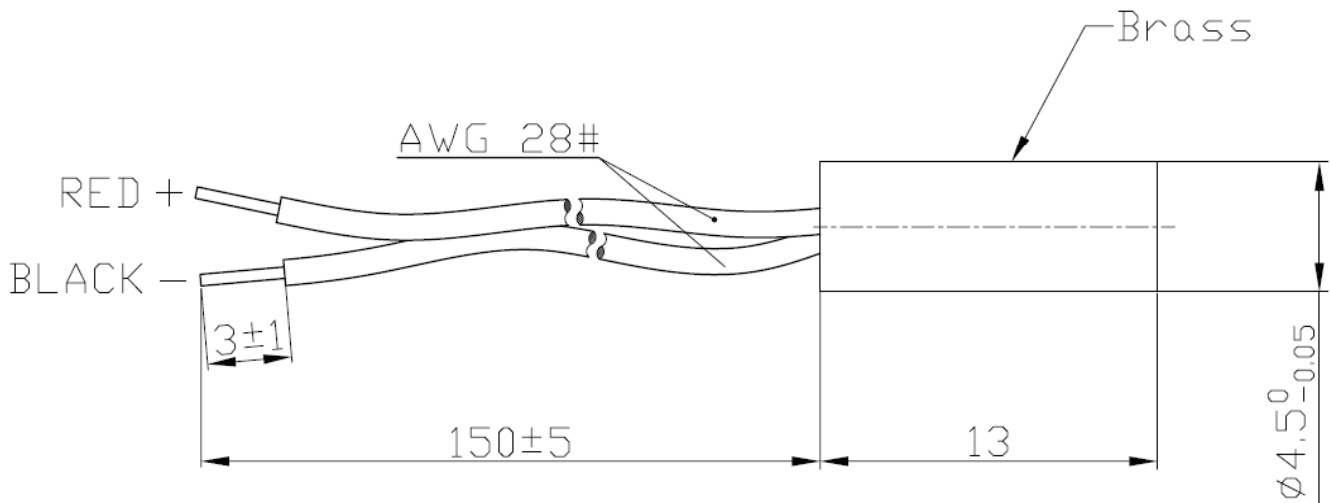
Compliance:



L45 Series



Engineered drawing:



Notes:

1. Output power is user adjustable from figure indicated above down to 0mW. Adjustment is made via trim pot accessed through module housing.
2. Output beam is user adjustable, but is factory set for collimation.
3. Setpoint temperature is user adjustable and laser diode temperature can be set anywhere in the range $+18^{\circ}\text{C}$ to $+25^{\circ}\text{C}$. Setpoint temperature is factory set to 25°C .

Laser safety:

The light emitted from these devices has been set in accordance with IEC60825. However, staring into the beam, whether directly or indirectly, must be avoided. IEC60825 classifies laser products into three different categories depending on light emitted, wavelength and eye safety.

※ Class II

"Caution", visible laser light less than 1.0mW. Considered eye safe, normal exposure to this type of beam will not cause permanent damage to the retina.

※ Class Class III R

"Danger", visible laser light between 1.0mW and 5.0mW, Considered eye safe with caution. Focusing of this light into the eye could cause some damage.

※ Class IIIB

"Danger", infrared (IR), and high power visible lasers considered dangerous to retina if exposed.

NB: It is important to note that while complying with the above classifications, unless otherwise stated, our laser diode products are not certified and are designed solely for use in OEM products. The way in which the device is used in the final product may alter its original design classification, and it is the responsibility of the OEM to ensure compliance with the relevant standards.